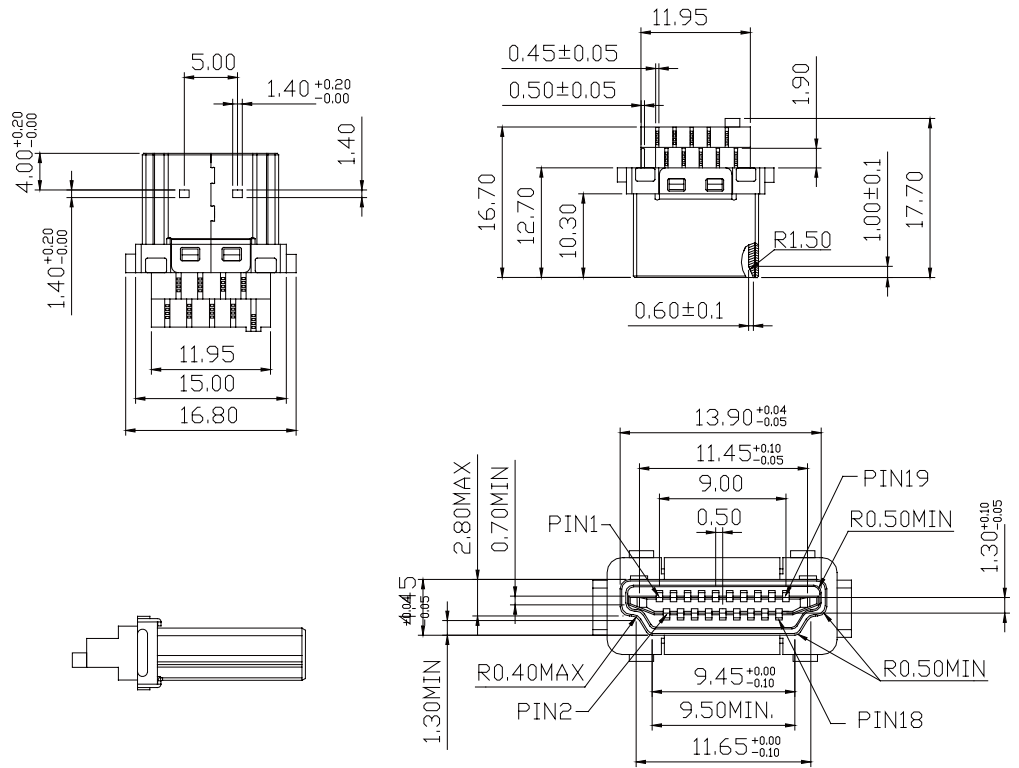


BY	CHK	REVISION RECORD MODIFICATIONS	DATE	REV.
ALLEN		RELEASE TO PRODUCTION	2007,9,10	1.0



Material:

- 1.1 Housing: Thermolastic UL94V-0 Color: black
- 1.2 Contact: Phosphor bronze T=0.30mm
- 1.3 Shell: Copper alloy T=0.40mm
- 1.4 Spacer: Thermoplastic UL94-0 color: black

Specification:

- 2.1 Current rating: 0.5A Max
- 2.2 Voltage rating: 40 V AC (rms) Max
- 2.3 Contact resistance: 50mΩ Max
- 2.4 Dielectric withstanding voltage: 100 V (ac) for 1min
- 2.5 Insulation resistance: 1000 mΩ min
- 2.6 Operation temperature range: -25°C ~ 85°C

Part No.: HDMI-M19 SB B N 1-U

Selective 10u"

Nickel Shell

APPRO	CHECK	DRAWN	PART NO.	Part No.HDMI-M19SBBN1-U	DESCRIPTION	
			ITEM NO.			
			DRAW NO.			
			UNIT	mm SCALE no		
			TOLER	NO.		